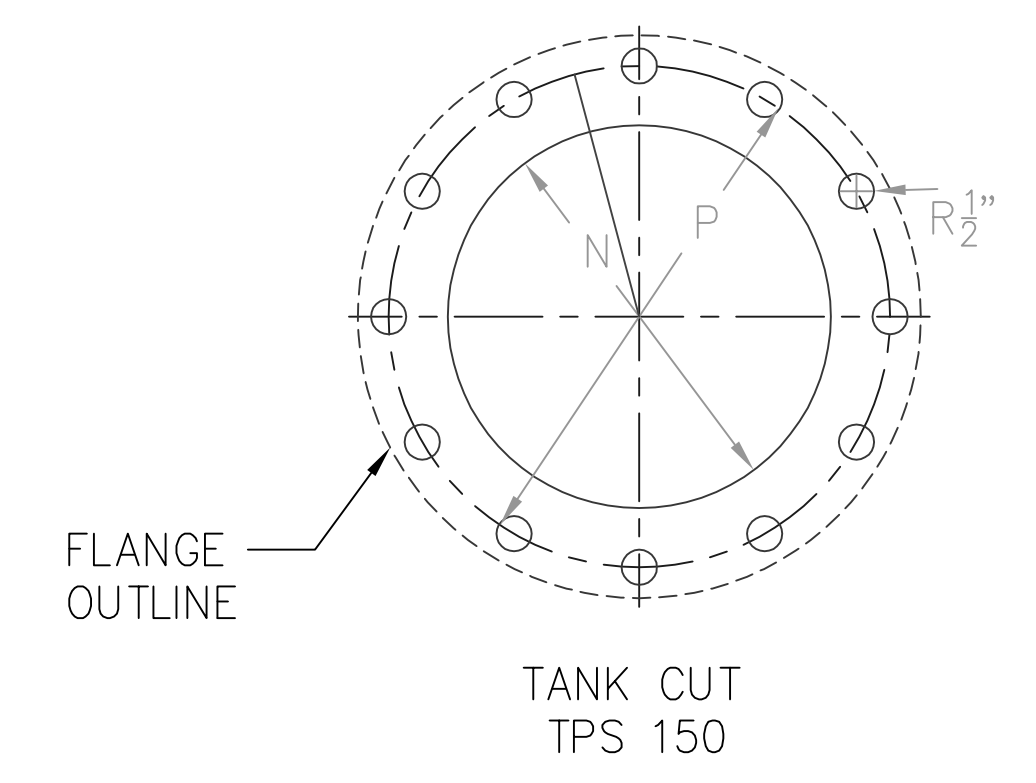
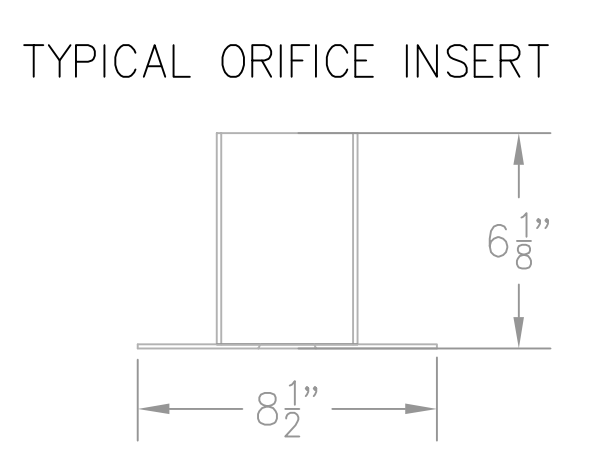
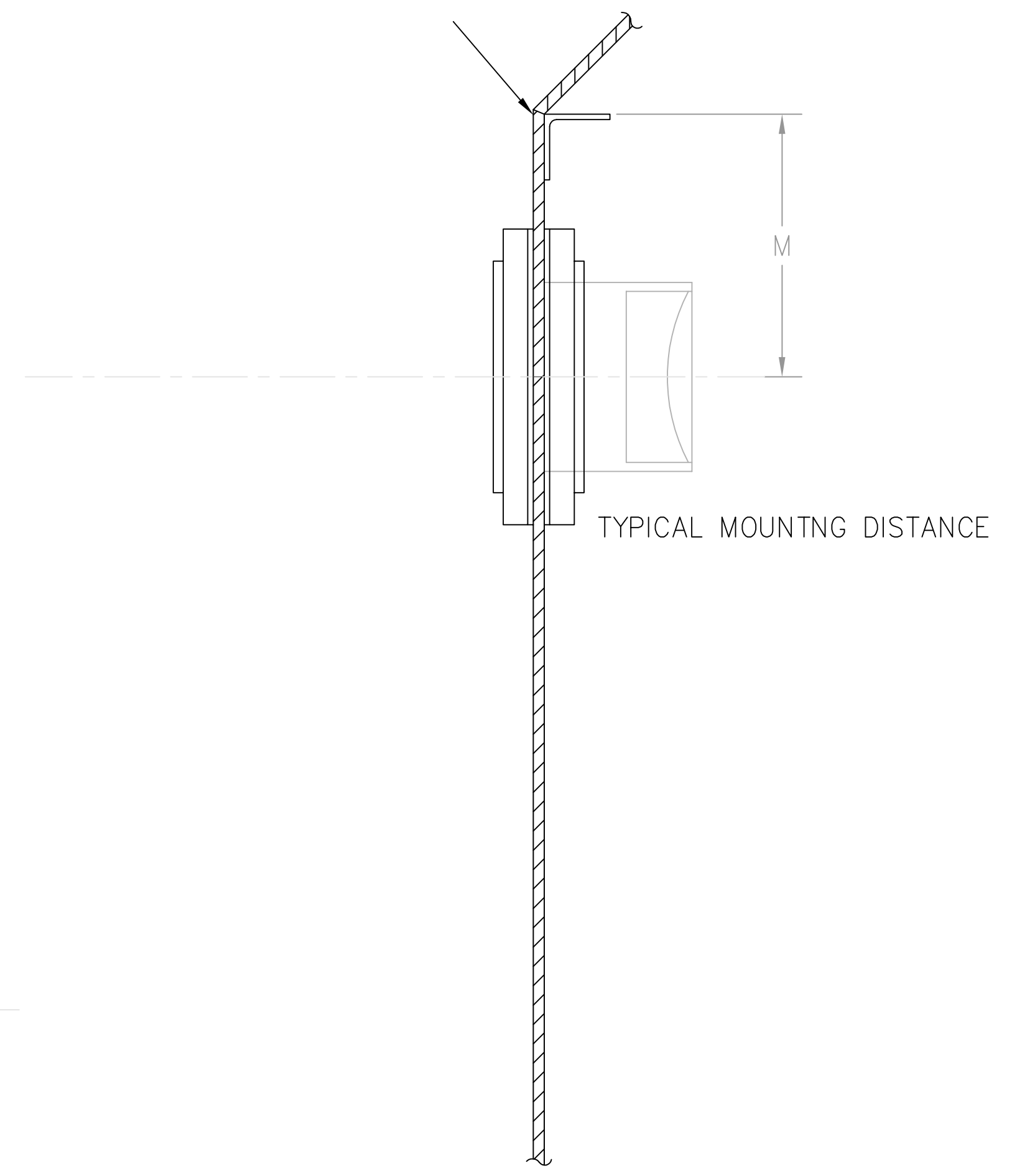
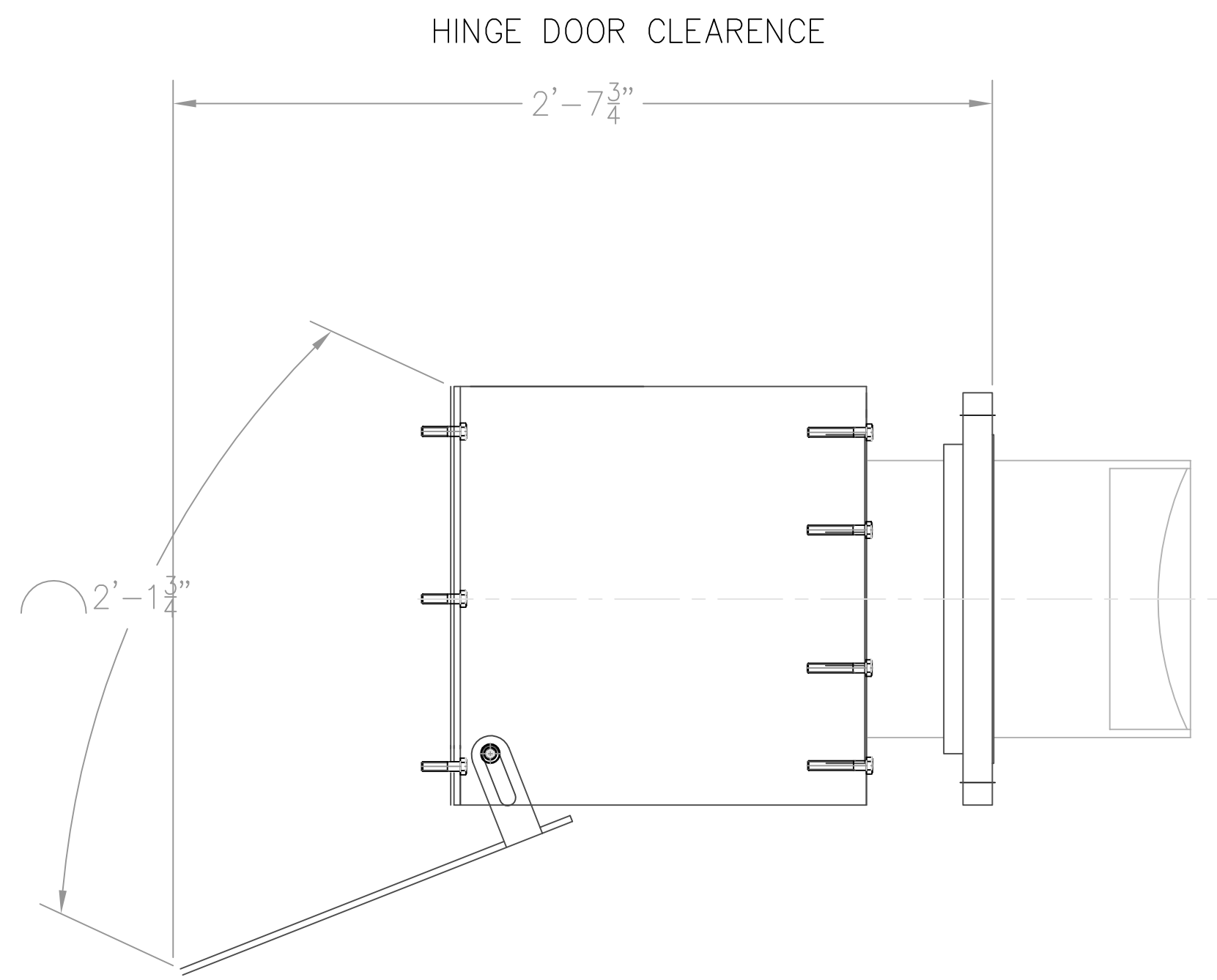
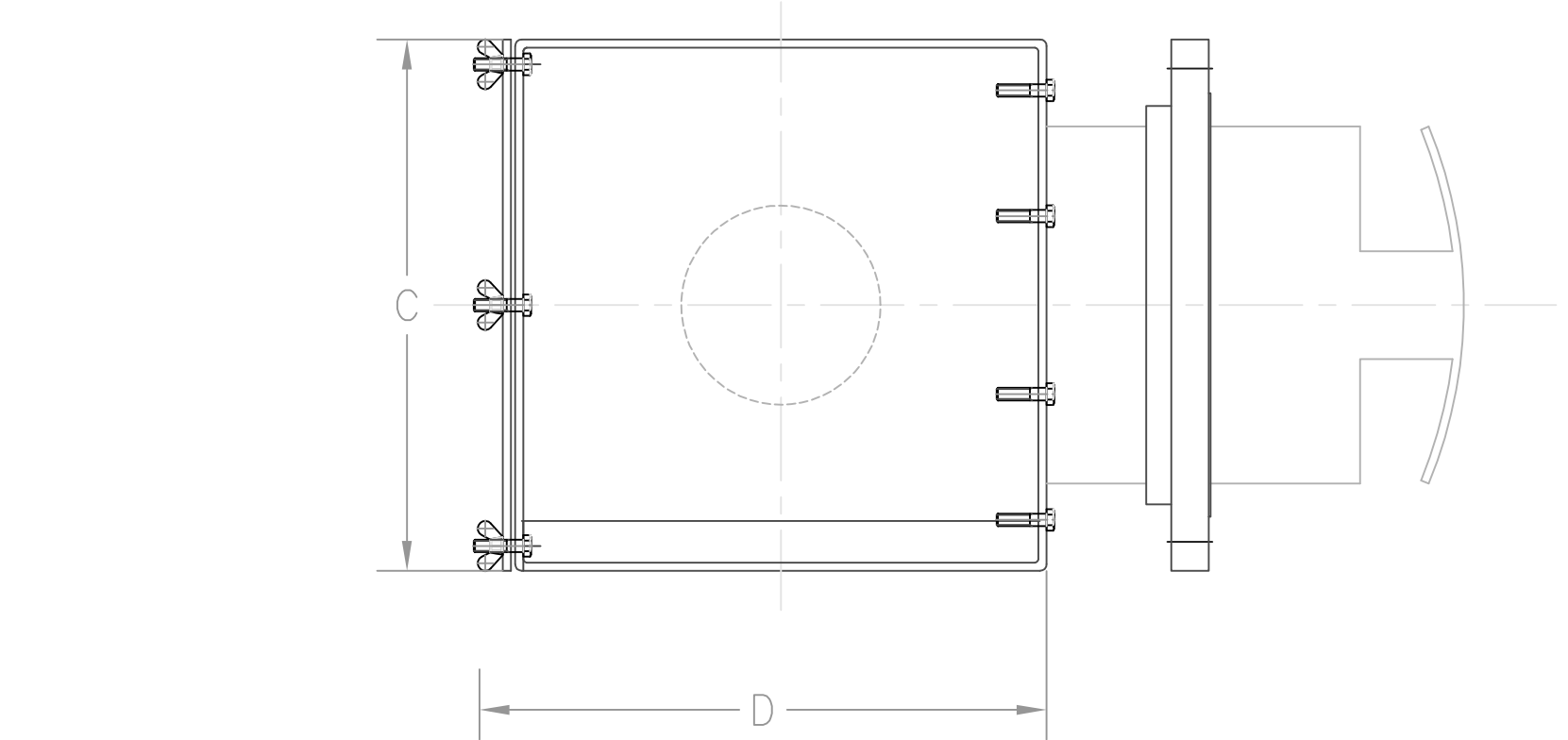
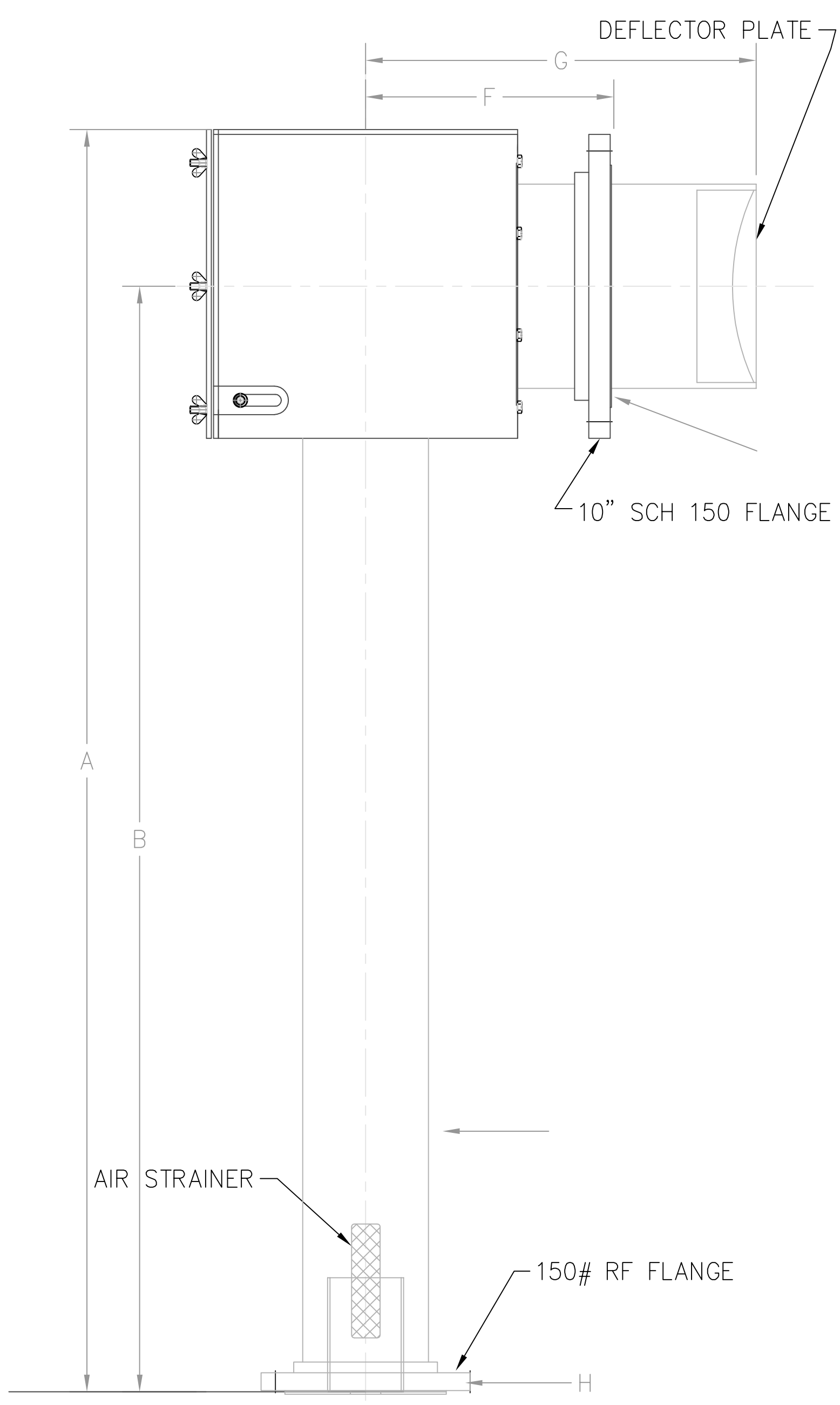


TYPE	A	B	C	D	E	F	G	H	J	K	L	M	N	P	R
TPS 150	67.44"	58.125"	17"	19"	9.5"	12.875"	20.56"	6"	10"	16"	16"	-	10.75"	14.25"	1"



ALL DIMENSIONS TO BE FIELD VERIFIED.

NOTICE
This drawing and the data thereon are confidential to and the proprietary property of Flameout. The drawing and the data thereon shall not be duplicated, or disclosed without the written permission of Flameout. All authorized reproductions shall bear this notice

Flameout HOUSTON, TEXAS

(713) 722-0952 FAX: (713) 464-0260

SCALE : NONE UL162 TEST SWRL DRAWN BY MOORE
 DATE : 08/15/09 REVIEWED BY MOORE

FTPS-150R FOAM CHAMBER DATA SHEET

APPROVAL: DATE : 08-15-09 DRAWING NUMBER CAB-P1A-01